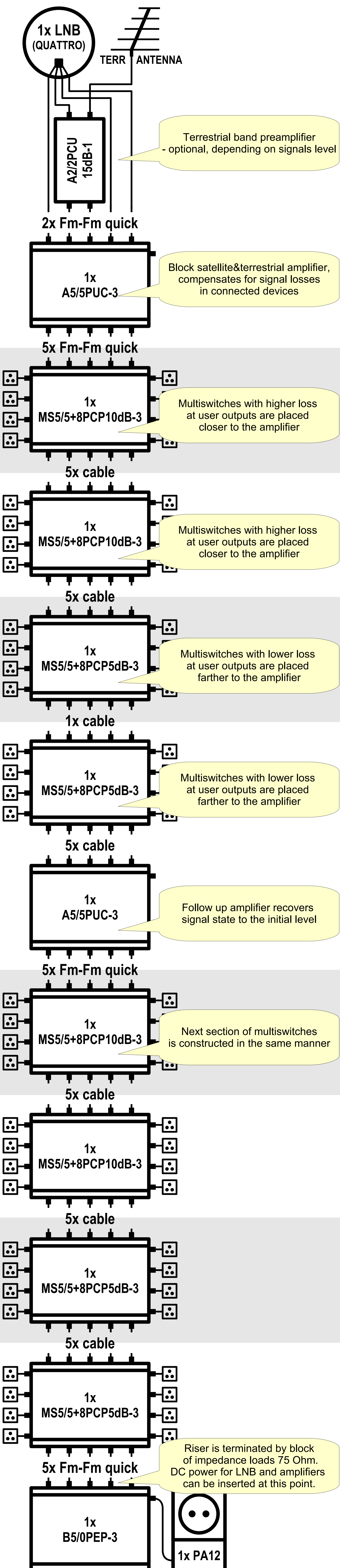


# EMP-Centauri Cascade Solutions

## I. Cascade based on cascadable multiswitches

up to 64 user outputs



## II. Cascade based on taps & standalone multiswitches

up to 224 user outputs

Note:  
For distribution of more satellites it is necessary to double (triple...) all components connected in cascade, ideally use their SAT-only counterparts (without terrestrial band). Plug-in DiSEqC switching modules (cascade type I.) or appropriate multiswitches (cascade type II.) must be applied to side outputs.

